

PCY/SCY Series Polypropylene Filter Housings



Specifications

Materials

- Housing: Glass-filled polypropylene
- O-ring:
PCY: Buna-N¹
SCY: Silicone only

Connections

- Inlet/Outlet:
- PCY: 1" NPT-F
 - SCY: ¾" NPT-F
- Vent/Drain:
- ¼" NPT-F

Dimension (nominal)

- Length:
- PCY: 17 ⅓" (440 mm)
 - SCY: 14 ½" (368 mm)

Configuration

- T-Type flow pattern

Filter Cartridges

- Accepts AB1 (SOE), or Uni Loc PFY1, 1001 or RF1 (DOE) styles
- One 10" (254mm) AB1 cartridge with Code 3 or Code 8 adapters²
 - One 10" (254mm) Uni Loc PFY1 or 1001 style cartridge
 - One 10" (254mm) Profile II RF1 style cartridge

Housing Sealing Mechanism

- Threaded housing with O-ring

Operating Conditions

Maximum Pressure: 150 psig (10.3bar) at 32–100°F (0–38°C)

Weights (nominal)

- Weight (empty):
- PCY: 5lbs (2.3kg)
 - SCY: 3lbs (1.4kg)
- Weight (full, water):
- PCY: 9lbs (4.1kg)
 - SCY: 6lbs (2.7kg)

*See Ordering Information Note.

¹

² See Appendix for AB style code descriptions.

Filter Cross Reference

AB or DOE Style Cartridges

Bio-Inert[®]

Emflon[®]

Fluorodyne[®] II

HDC[®] II

N₆₆[®] Posidyne[®]

PallCell[®]

Profile[®] II Family

Profile Star

Starclear[™] Family

Ultipleat[®] Profile

Ultipor[®] BPC

Ultipor GF Plus[®]

Ultipor N₆₆

Description

Pall PCY and SCY series filter housings feature reinforced polypropylene construction and can accept either single open ended (SOE) AB sanitary style or double open ended (DOE) industrial style 10" filter cartridges. PCY or SCY housings are recommended for liquid filtration applications with flow rates up to 15gpm (57lpm). Not recommended for air/gas service.

- Sturdy polypropylene designs
- PCY style for rugged liquid service and long life
- SCY style for general liquid service use
- Broad chemical compatibility*
- Choice of 1" NPT-F or ¾" NPT-F Inlet/Outlet
- Accepts either SOE AB1 sanitary style or DOE Uni Loc[®], PFY1, MC*1001 or RF1 styles
- Manufactured for use in conformance with cGMP
- Manufacturing Quality System Certified to ISO 9000 Standards

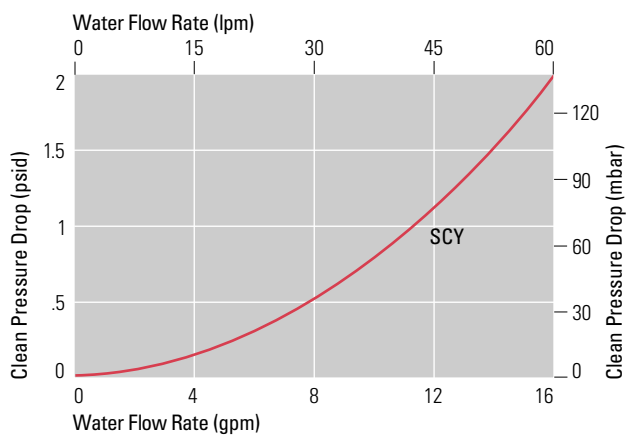
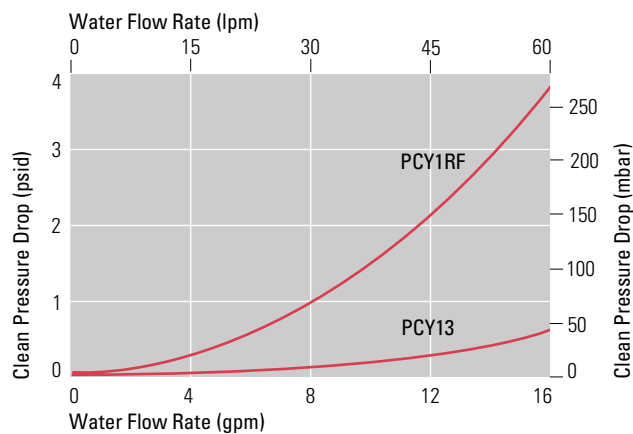
For information or to order, call:

1-800-717-7255

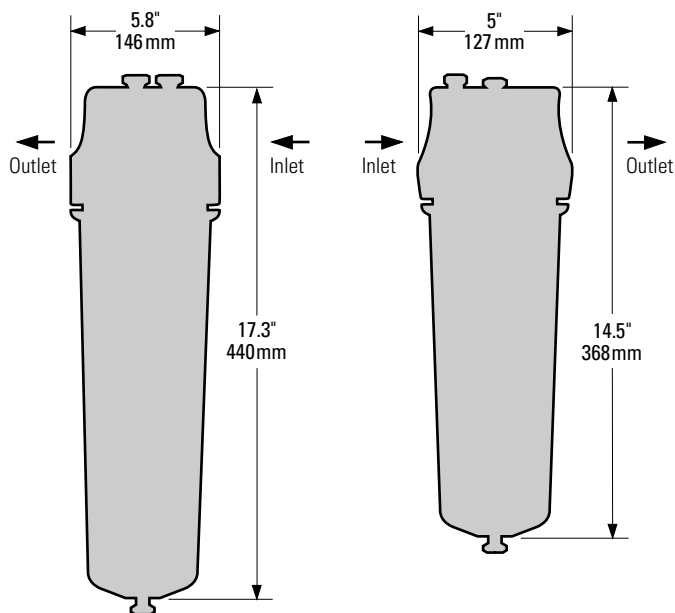
or 516-484-5400 – Fax: 516-625-3610
 pharmafilter @ pall.com
 www.pall.com

Filter Cartridge Housings
 Liquid Service Only

Pressure Drop vs. Water and Air Flow Rates³



Dimensions



PCY Housing

SCY Housing

Specifications and Availability: The information provided is a guide to the part number structure and possible options. Product availability may be subject to change without notice. All specifications are nominal. Elements not supplied with housings. This literature was reviewed for accuracy at the time of publication. For current information on the products and test methodologies, consult your local Pall distributor.

Note: For Minimum Bowl Removal Height, see Ordering Information below.

³ Empty housings, including cartridge core loss factors; water at 68°F (20°C), 1 cp. For complete assembly including AB style filter cartridge, add housing and cartridge media pressure drop values. For liquids with other viscosities, please contact your local Pall distributor.

Part Numbers / Ordering Information

Part Number ⁴	Inlet/Outlet Connection	Cartridge Style Accepted	Min. Bowl Removal Height
PCY13GN16H13	1" NPT	AB1 Code 3 or Code 8	6" (152mm)
PCY1RFGN16H13	1" NPT	RF1, 1001, or Uni Loc PFY1	13" (330mm)
SCY1G12H4	3/4" NPT	AB1 Code 3	4" (102mm)
SCY1RFG12H4	3/4" NPT	RF1, 1001, or Uni Loc PFY1	13" (330mm)

⁴H13 suffix=Buna-N O-ring material (standard for PCY style). Ethylene Propylene, Silicone and Fluorocarbon Elastomer O-rings also available. H4 suffix=Silicone O-ring material (standard for SCY style). See Appendix for other polymer option designations.

Caution: These housings are only suitable for use with liquids. The liquids must be compatible with polypropylene under long term conditions. The housing is not recommended for acid service at the pressure shown or with hot bases under long term conditions. Prevent liquids from freezing in the filter assembly and avoid exposure of assembly in systems where pulsating pressure or "water hammer" occurs. Contact Pall for detailed compatibility information.