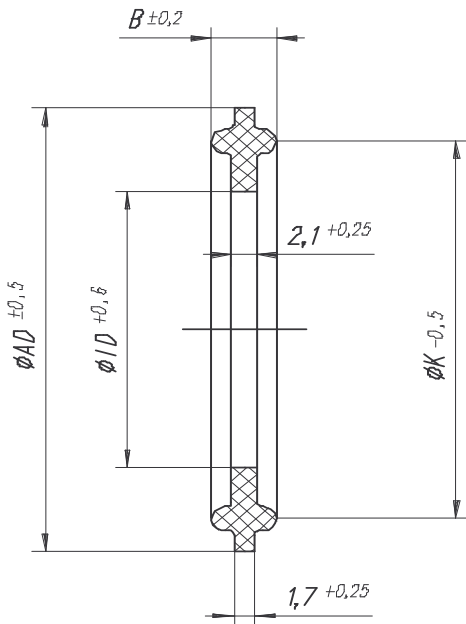


## Gylon BIO PRO - Normenvergleich

FG - 13.12.2004



Artikel-Nr.	DIN 32676	ASME / BPE	ISO 2852	ISO 1127 DN	SMS DN	
36800-0050		1/2"				9,4 x 21,8 mm (2 mm dick)
36800-0075		3/4"				15,8 x 21,8 mm
36800-1010	DN 10			8		10,0 x 34,0 mm
36800-1015	DN 15			10		14,0 x 34,0 mm
36800-1020	DN 20			15		15,0 x 34,0 mm
36800-0100		1"	1"		25	18,0 x 34,0 mm
36800-1025	DN 25			20		20,0 x 34,0 mm
36800-1032	DN 32			25		22,1 x 50,5 mm
36800-0150		1,5"	1,5"		38	26,0 x 50,5 mm
36800-1040	DN 40			32		23,7 x 50,5 mm
36800-0200		2"	2"	40	51	29,5 x 50,5 mm
36800-1050	DN 50			50		32,0 x 50,5 mm
36800-0250		2,5"	2,5"		63	34,8 x 50,5 mm
36800-1065	DN 65			65	76	38,0 x 50,5 mm
36800-0300		3"	3"			44,0 x 64,0 mm
36800-1080	DN 80			80		47,5 x 64,0 mm
36800-0400		4"	4"		101,6	50,0 x 64,0 mm
36800-1100	DN 100				104	56,2 x 77,5 mm
						60,2 x 77,7 mm
						66,0 x 91,0 mm
						72,0 x 91,0 mm
						72,9 x 91,0 mm
						81,0 x 106,0 mm
						85,0 x 106,0 mm
						97,4 x 119,0 mm
						99,5 x 119,0 mm
						100,0 x 119,0 mm